

# LUXORliving M100

Item no.: 4800491

Home and Building control  
LUXORliving

## Description

- Weather sensor for use with the weather station LUXORliving M130
- Forwarding of the measured values to up to 20 weather stations LUXORliving M130
- For measuring wind, rain, temperature and brightness (3 directions)
- Rain sensor with integrated heating

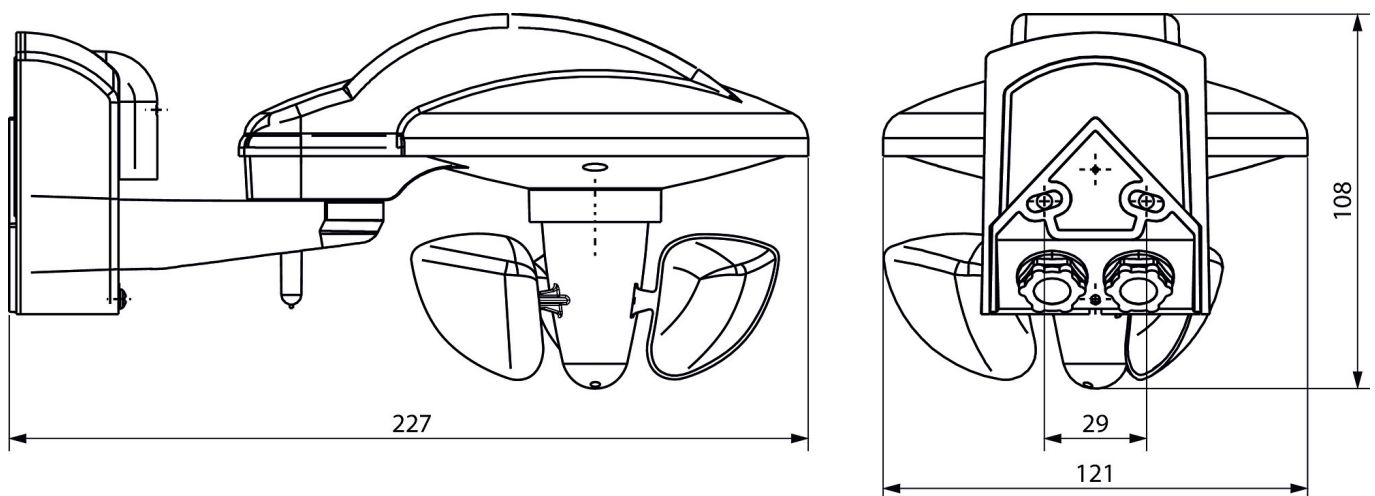


## Technical data

	LUXORliving M100
Operating voltage	110 – 230 V AC
Frequency	50 – 60 Hz
Operating voltage KNX	Bus voltage, $\leq 10$ mA
Stand-by consumption	$< 5.5$ W
Measuring range brightness	100000 lx
Setting range temperature	$-30^{\circ}\text{C} \dots 60^{\circ}\text{C}$

	LUXORliving M100
Measuring range wind speed	2 – 30 m/s
Ambient temperature	$-20^{\circ}\text{C} \dots 55^{\circ}\text{C}$
Type of protection	IP 44
Protection class	II

## Scale drawings



Subject to technical changes and misprints

additional information at: [www.theben.de/product/4800491](http://www.theben.de/product/4800491)

The load data are determined with exemplary selected illuminants and are therefore typical data due to the large number of available products.

# LUXORliving M100

Item no.: 4800491

**theben**  
energy saving comfort

## Accessories

---

### Mast mounting S

Item no.: 9070928



Subject to technical changes and misprints

additional information at: [www.theben.de/product/4800491](http://www.theben.de/product/4800491)

The load data are determined with exemplary selected illuminants and are therefore typical data due to the large number of available products.

30/09/2020

Page 2 of 2